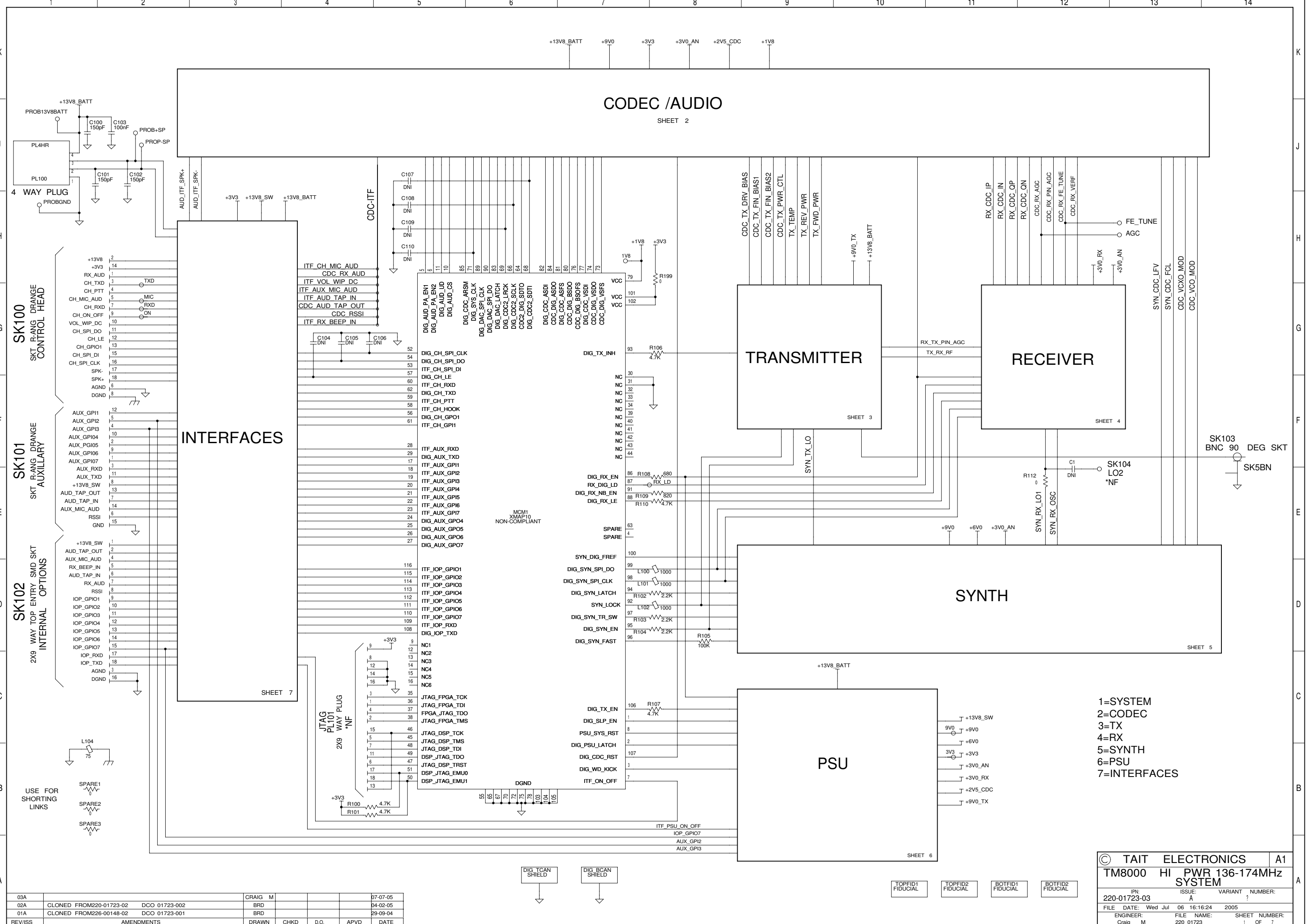


CODEC /AUDIO

SHEET 2

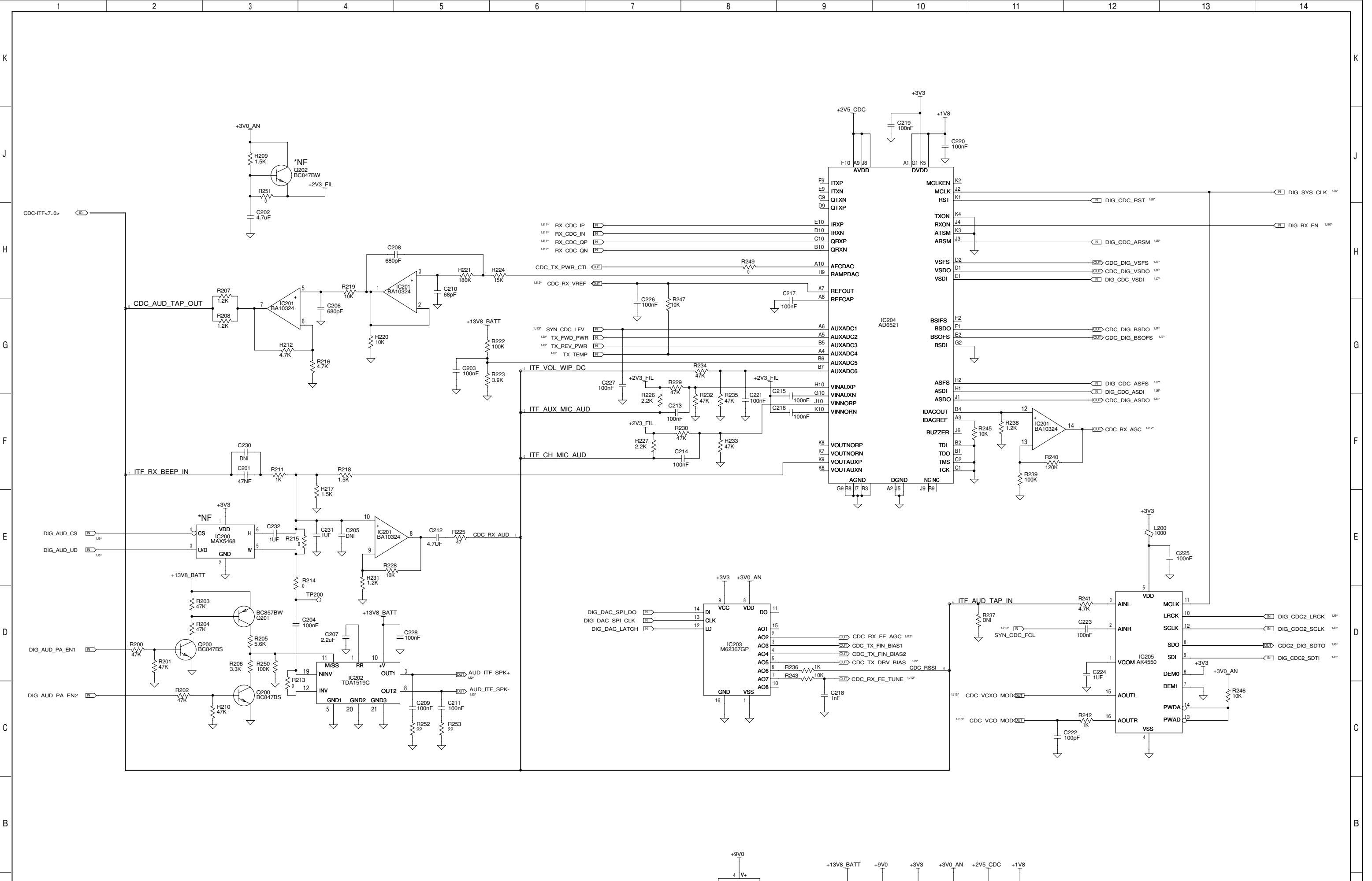


- 1=SYSTEM
- 2=CODEC
- 3=TX
- 4=RX
- 5=SYNTH
- 6=PSU
- 7=INTERFACES

© TAIT ELECTRONICS		A1
TM8000 HI PWR 136-174MHz SYSTEM		
IPN: 220-01723-03	ISSUE: A	VARIANT NUMBER: ?
FILE DATE: Wed Jul 06 16:16:24 2005	SHEET NUMBER: 1 OF 7	
ENGINEER: Craig M	FILE NAME: 220_01723	

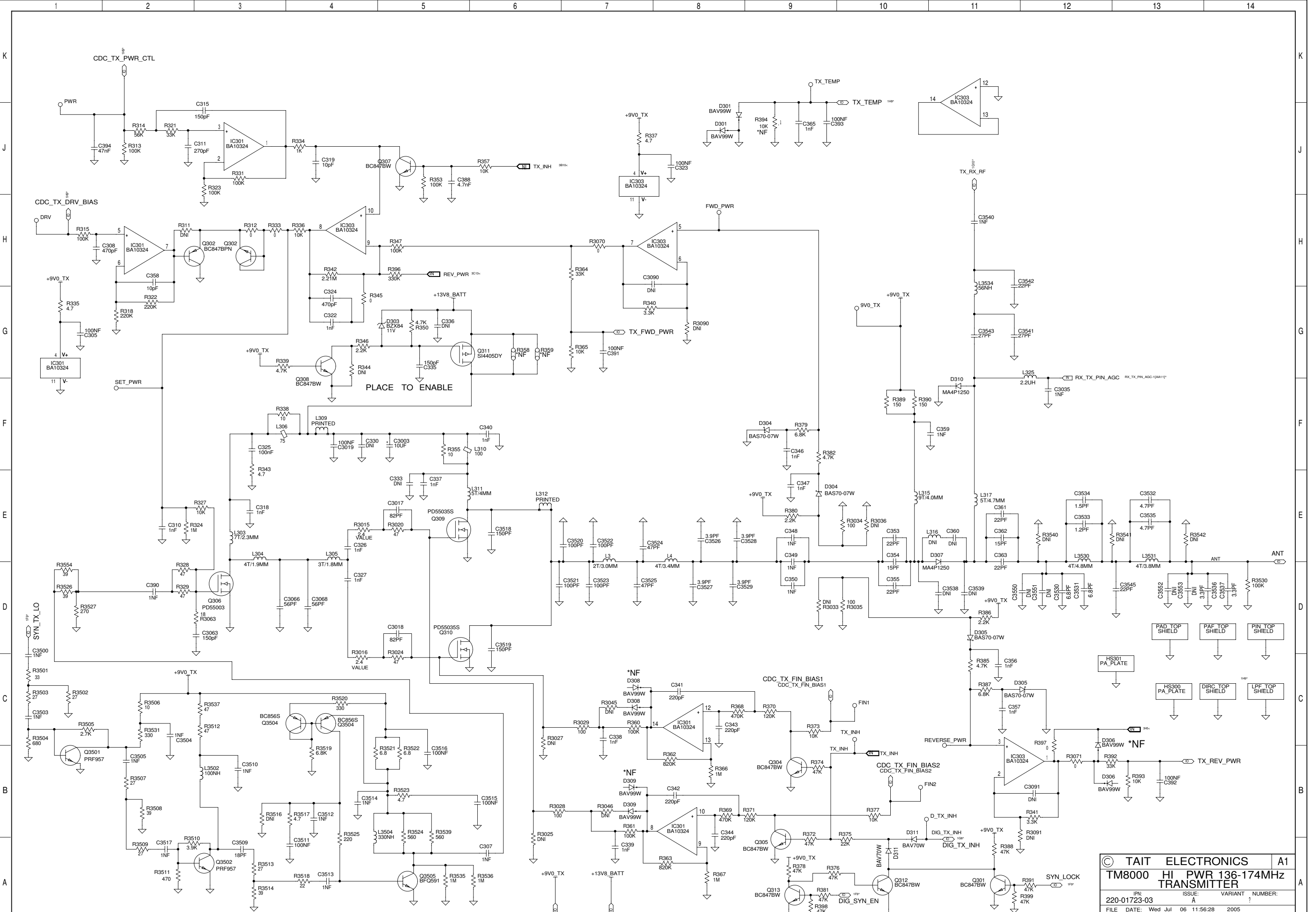
03A						07-07-05
02A	CLONED FROM 220-01723-02	DCO 01723-002	CRAIG M			04-02-05
01A	CLONED FROM 226-00148-02	DCO 01723-001	BRD			29-09-04
REV/ISS	AMENDMENTS		DRAWN	CHKD	D.O.	APVD

TOPFID1 FIDUCIAL TOPFID2 FIDUCIAL BOTFID1 FIDUCIAL BOTFID2 FIDUCIAL



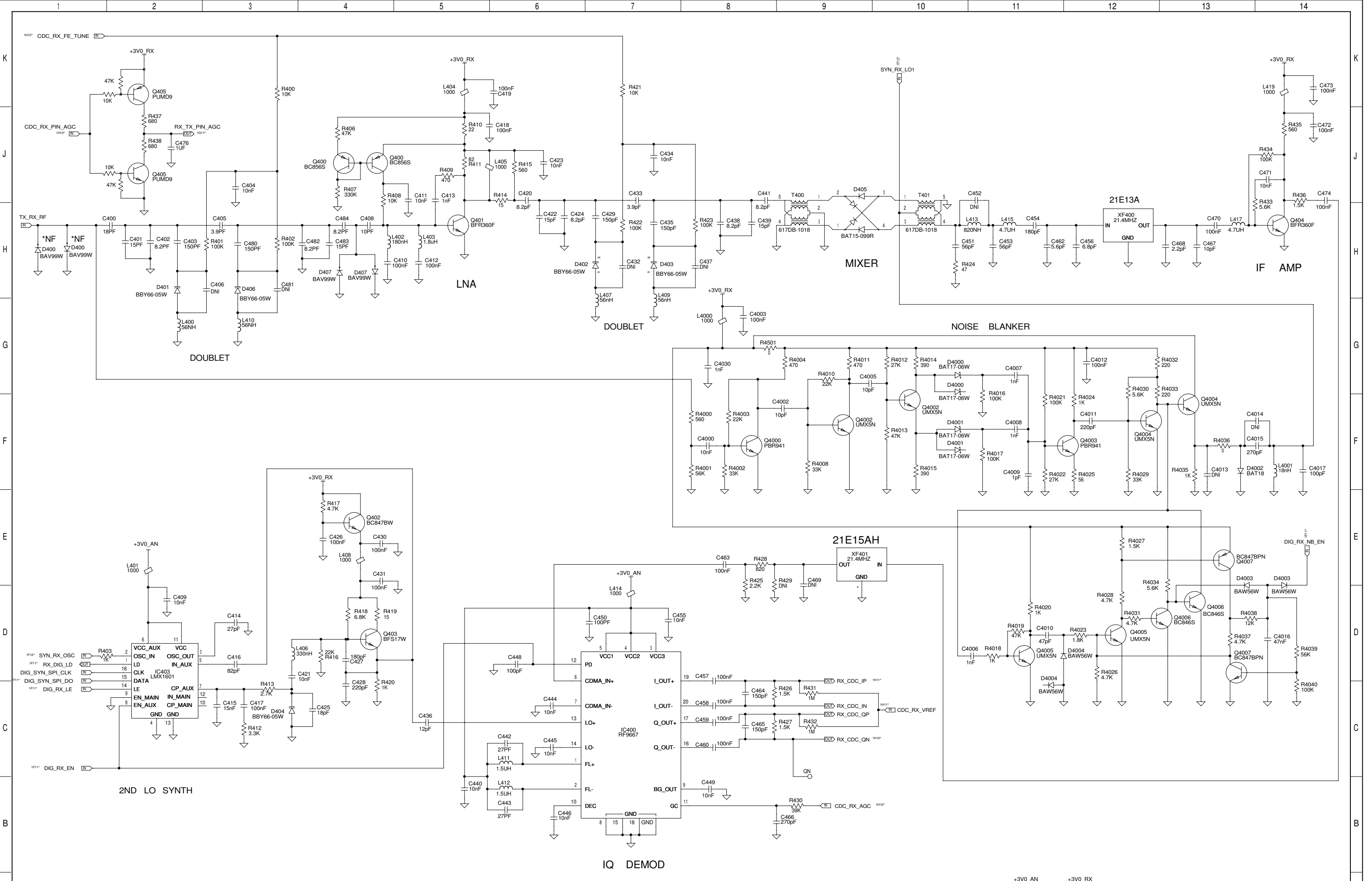
© TAIT ELECTRONICS		A1
TM8000 HI PWR 136-174MHz CODEC		
IPN: 220-01723-03	ISSUE: A	VARIANT NUMBER: ?
FILE DATE: Wed Jul 06 11:58:15 2005		
ENGINEER: Craig M	FILE NAME: 220_01723	SHEET NUMBER: 2 OF 7

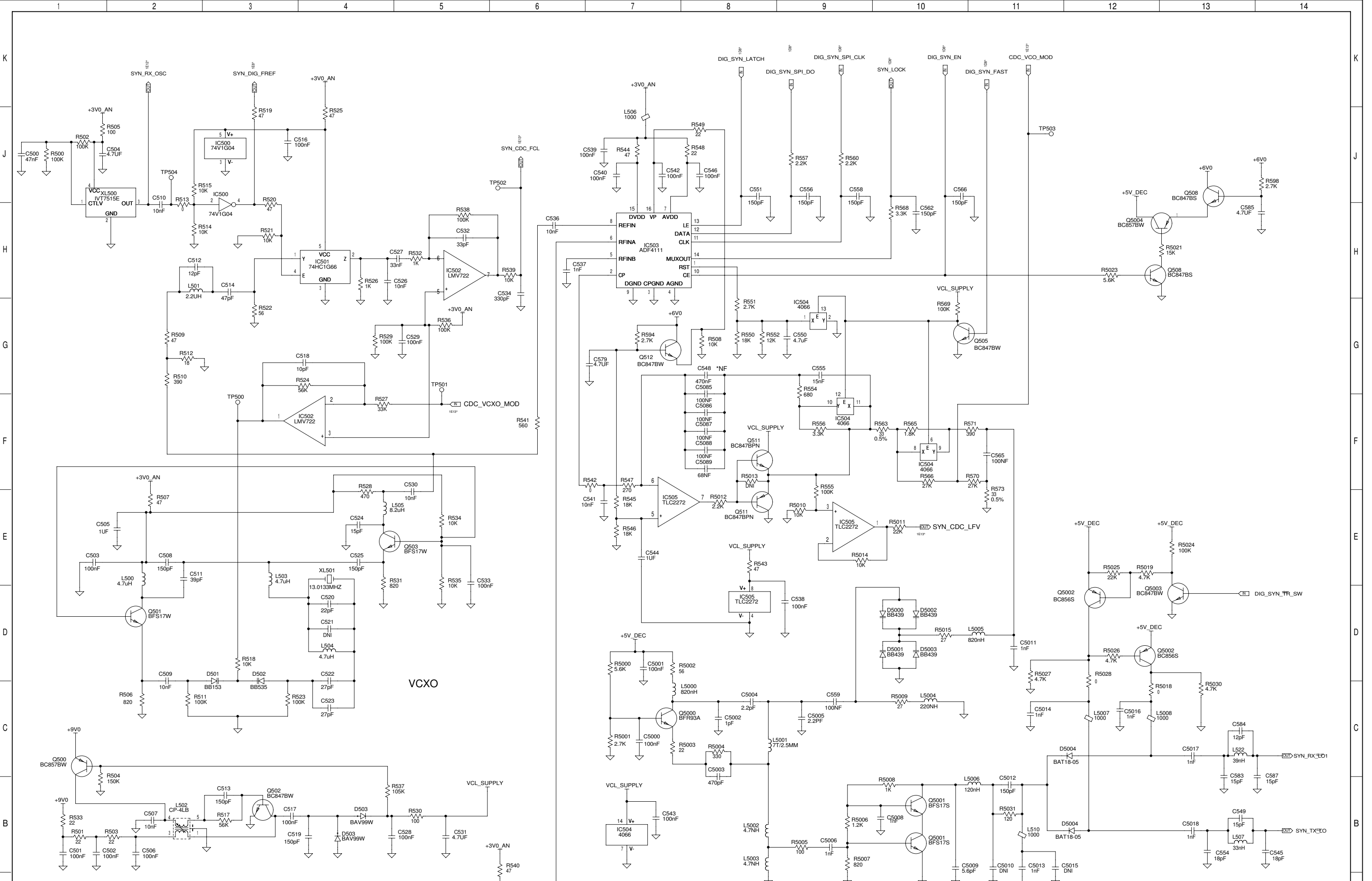
REV/ISS	AMENDMENTS	DRAWN	CHKD	D.O.	APVD	DATE
1						
2						
3						
4						
5						



© TAIT ELECTRONICS		A1
TM8000 HI PWR 136-174MHz TRANSMITTER		
IPN: 220-01723-03	ISSUE: A	VARIANT NUMBER: ?
FILE DATE: Wed Jul 06 11:56:28 2005	FILE NAME: 220_01723	SHEET NUMBER: 3 OF 7
ENGINEER: Craig M	FILE NAME: 220_01723	SHEET NUMBER: 3 OF 7

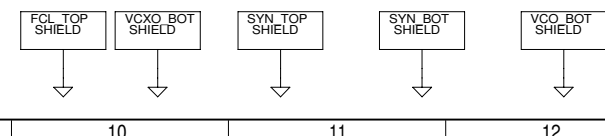
REV/ISS	AMENDMENTS	DRAWN	CHKD	D.O.	APVD	DATE
1						
2						
3						
4						
5						
6						
7						
8						
9						
10						
11						
12						
13						
14						

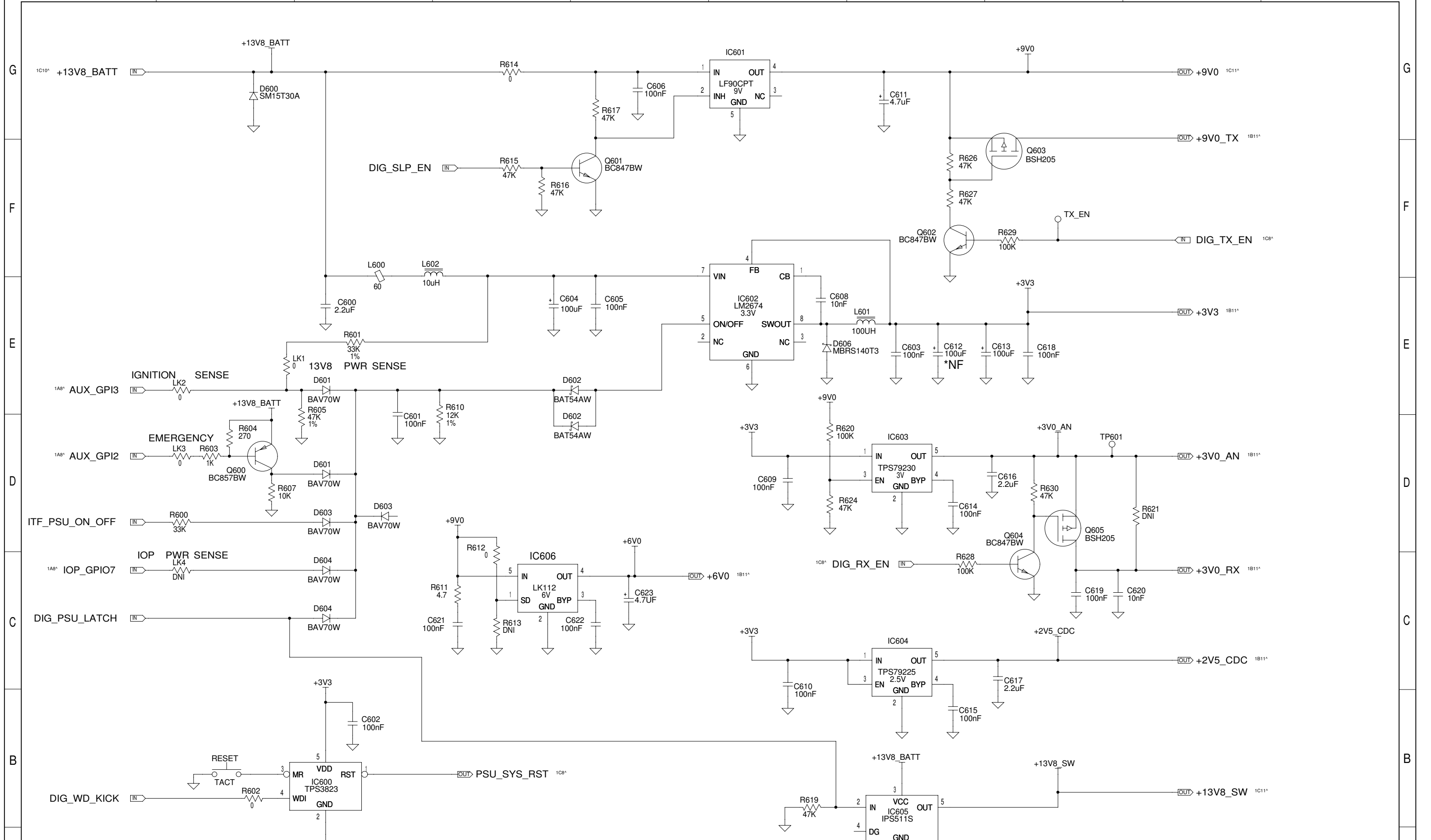




05A	DCO 700051-53	CRAIG_M	CHKD	D.O.	APVD	19/8/03
REV/ISS	AMENDMENTS	DRAWN				DATE
1						
2						
3						
4						
5						

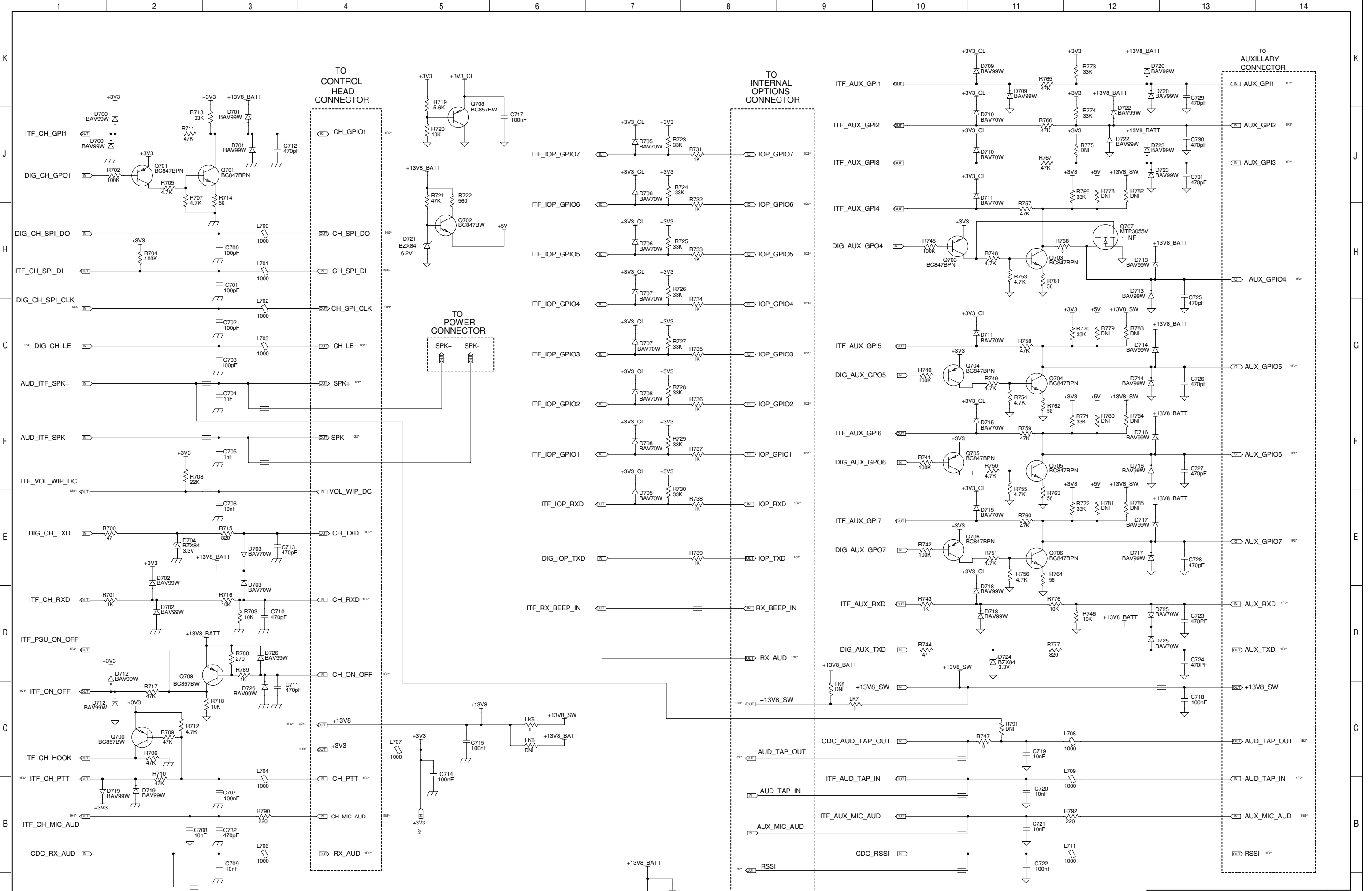
© TAIT ELECTRONICS		A1
TM8000 HI PWR 136-174MHz SYNTH & VCOS		
IPN: 220-01723-03	ISSUE: A	VARIANT NUMBER: ?
FILE DATE: Wed Jul 06 11:58:06 2005	ENGINEER: Craig M	FILE NAME: 220_0173
		SHEET NUMBER: 5 OF 7





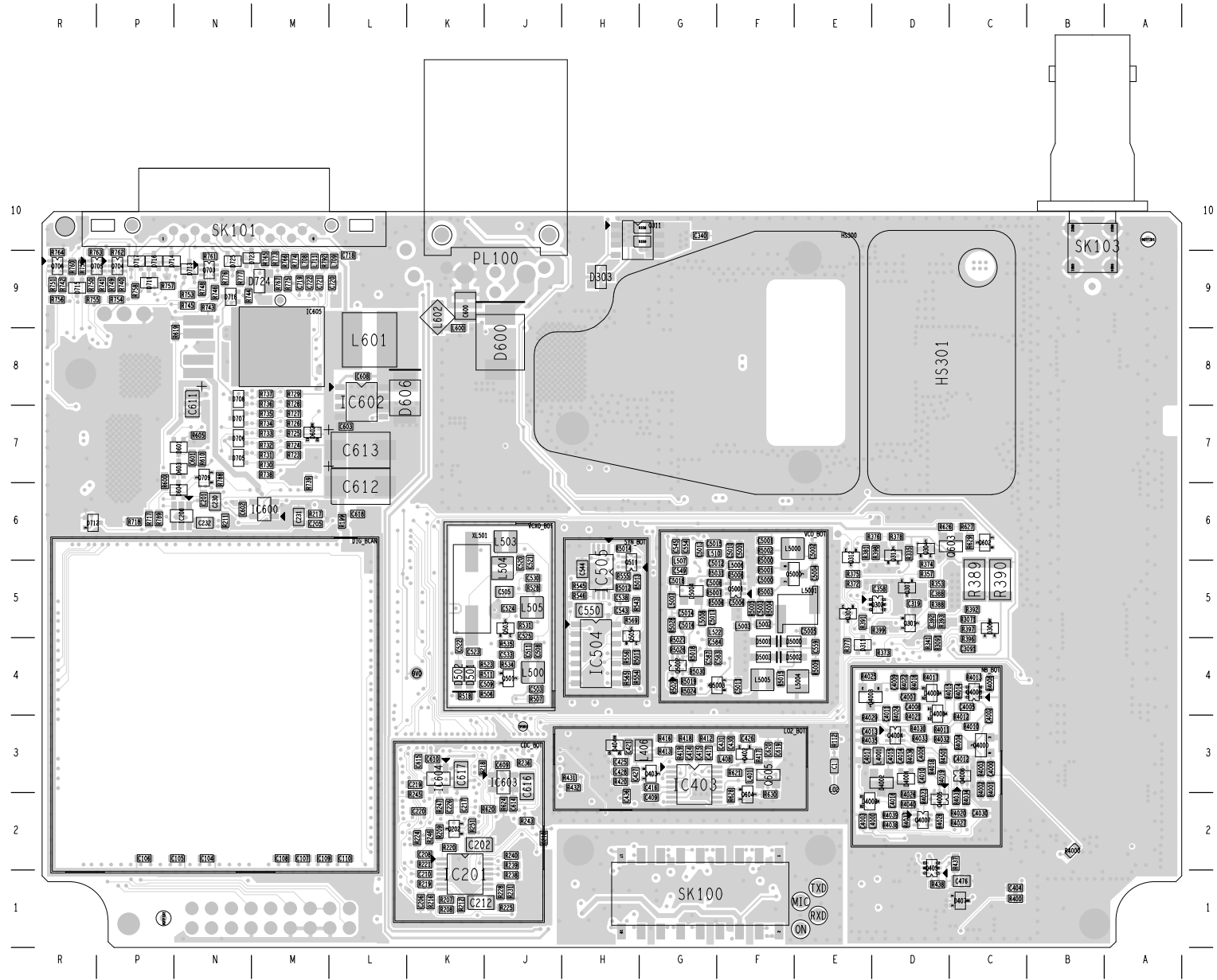
© TAIT ELECTRONICS		A2
TM8000 HI PWR 136-174MHz POWERSUPPLY		
IPN: 220-01723-03	ISSUE: A	VARIANT NUMBER: ?
FILE DATE: Wed Jul 06 11:57:39 2005		
ENGINEER: Craig M	FILE NAME: 220_01723	SHEET NUMBER: 6 OF 7

REV/ISS	AMENDMENTS	DRAWN	CHKD	D.O.	APVD	DATE
1	2	3	4	5	6	7



© TAIT ELECTRONICS		A1
TM8000 HI PWR 136-174MHz INTERFACE		
IPN: 220-01723-03	ISSUE: A	VARIANT NUMBER: ?
FILE DATE: Wed Jul 06 11:57:53 2005		
ENGINEER: Craig M	FILE NAME: 220_01723	SHEET NUMBER: 7 OF 7

REV/ISS	AMENDMENTS	DRAWN	CHKD	D.O.	APVD	DATE
1						
2						
3						
4						
5						
6						
7						
8						
9						
10						
11						
12						
13						
14						



TAIT ELECTRONICS IPN: 220-01723-03 ISS: A DATE: 2Aug05 SCALE: NTS
 TM8000 VHF NTIA HI PWR MAIN BOARD LAYOUT-SECONDARY-SIDE